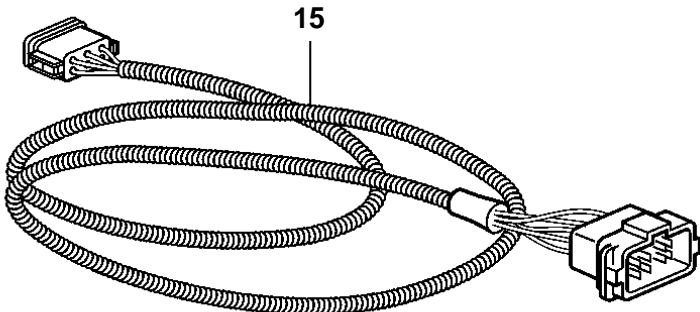
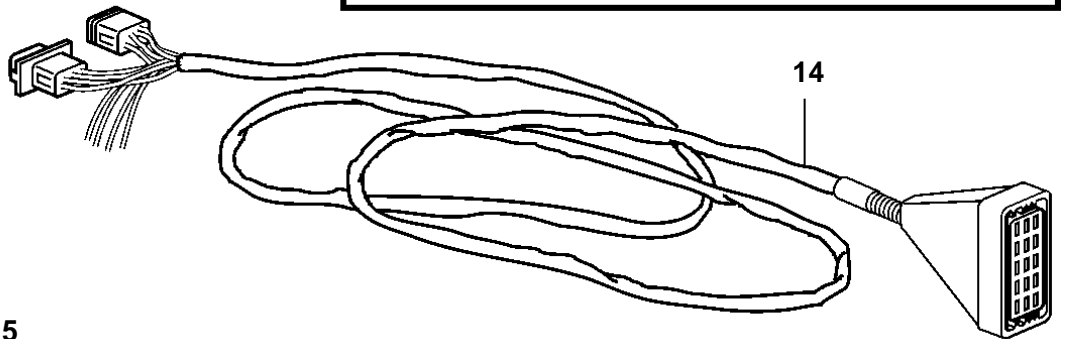
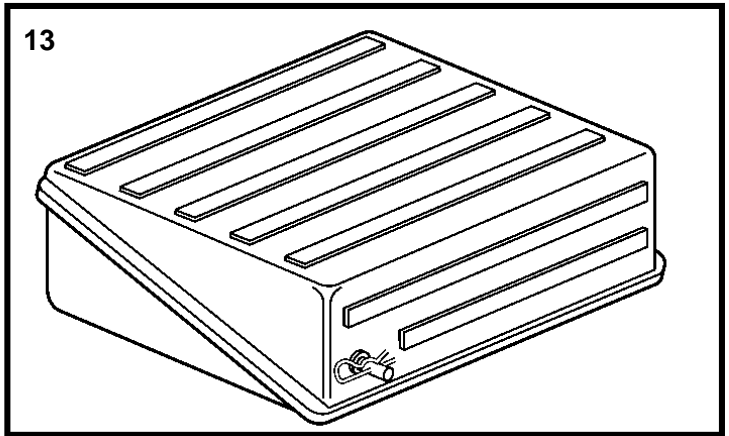
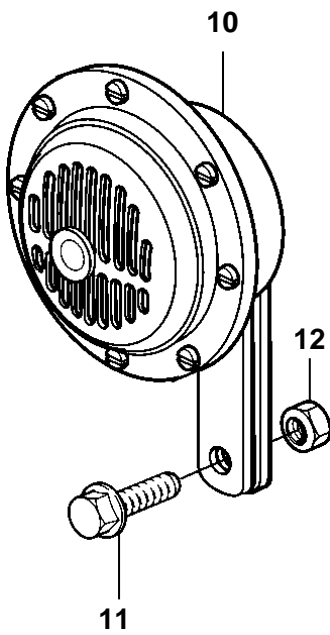
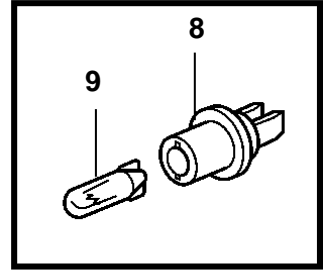
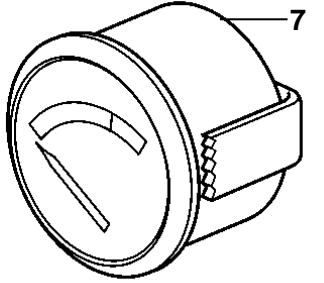
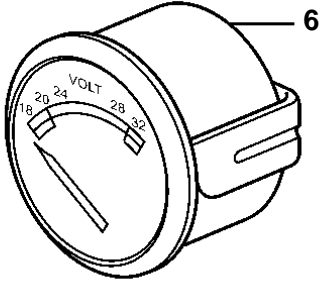
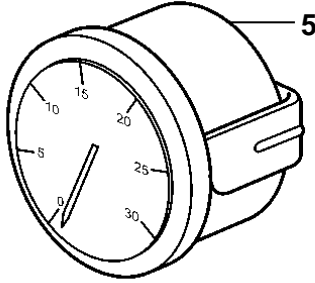
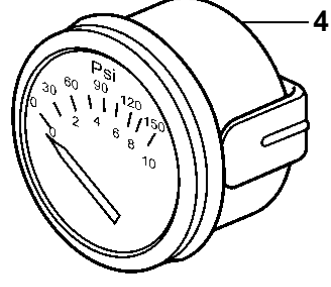
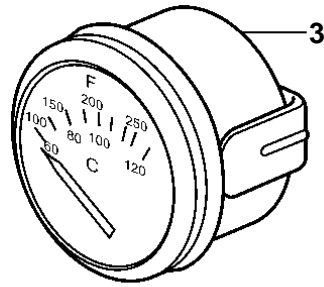
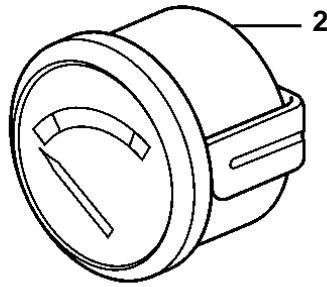
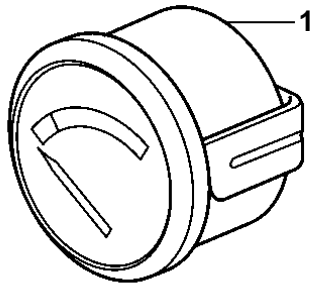


TAD1641VE, TAD1642VE



TAD1641VE, TAD1642VE

REF	PART NO.	QTY	DESCRIPTION	SEE SEC.	NOTES
1	849849	1	Oil pressure gauge		
2	849848	1	Thermometer		
3	873196	1	Temperature gauge		
4	873198	1	Oil pressure gauge		
5	873998	1	Rev counter kit		
6	862096	1	Voltmeter		
7	863408	1	Thermometer, oil		
8	808175	1	Bulb socket		For 849849, 849848, 862096, 863408.
	863945	1	Bulb socket		For 873196, 873198, 873998.
9	182059	1	Bulb		For 849849, 849848.
	863947	1	Bulb		Included in 873196, 873198, 873998, 872479.
	828818	1	Bulb		For 862096, 863408.
10	874050	1	Horn		
11	946440	1	Flange screw		
12	945408	1	Flange nut		
13		1	Battery box	4655	
14	3808418	1	Cable harness		Cable kit CIU.
15	874414	1	Extension cable		L=3,0m. Connectio cable EDC, CIU.
	874119	1	Extension cable		L=5,0m. Connectio cable EDC, CIU.
	874386	1	Extension cable		L=7,0m. Connectio cable EDC, CIU.
	874387	1	Extension cable		L=9,0m. Connectio cable EDC, CIU.
	874388	1	Extension cable		L=11,0m. Connectio cable EDC, CIU.